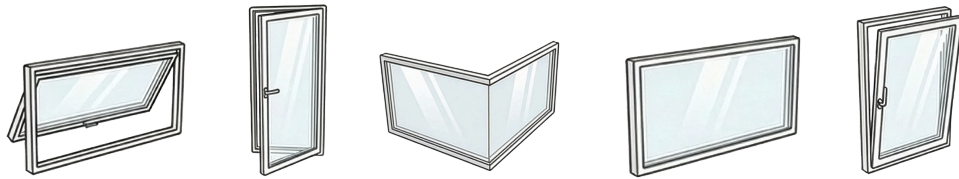




Window Installation Guidelines

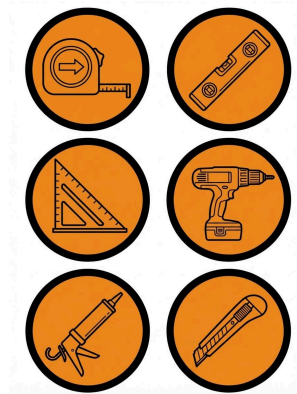
APX 303, APX 305, and APX 101



Required Tools and Materials:

Tools:

- Tape measure
- 4' level
- Speed square
- Drill
- Caulking gun
- Utility knife
- Stapler (for house wrap if needed)
- Pry bar (for adjustments)

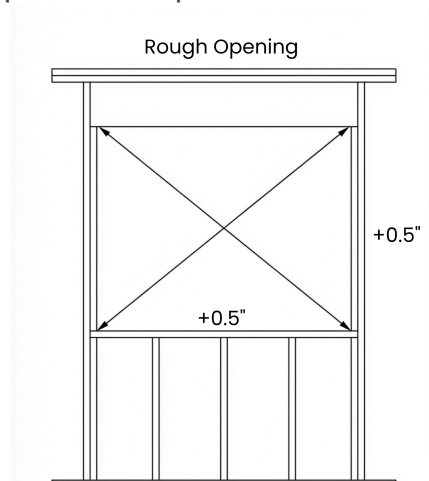


Material:

- #8 x 1½" – 2" Exterior-Grade Self-Drilling Screws
- Window Flashing
- Shims (composite or cedar)
- High Grade -Exterior silicone (Dow 795 Silicone Building Sealant, GE SilPruf SCS2000, OSI Quad Max hybrid sealant option)

1. Rough Opening Size

The rough opening must be ½" larger than the window unit size in both width and height. This allows adequate space for shimming, leveling, and insulation while ensuring proper window performance



All openings should be 1/2" bigger than window

2. Verify the Rough Opening

Before installation, confirm the rough opening is:

- *Level at the sill*
- *Plumb on both sides*
- *Square and properly sized*

Use shims as needed to level the sill and correct any irregularities. A level sill is critical for proper window operation and long-term performance.

3. Dry Fit the Window

Place the window into the opening to **confirm proper fit before applying sealants or fasteners**. Ensure there is approximately $\frac{1}{4}$ " **clearance on each side** of the unit. Adjust with shims if necessary to achieve proper alignment.

4. Apply Flashing

Apply **self-adhering flashing tape** along the bottom of the rough opening sill. The flashing should extend **beyond both sides of the opening** to direct water away from the wall assembly.

5. Apply Sealant

Apply a continuous bead of **high-quality exterior sealant** along the sides and top of the window flange (or exterior frame contact areas) prior to installation. Do not seal the bottom flange, allowing proper drainage.

6. Install the Window

Insert the window **from the exterior**, pressing it firmly into the sealant. Use shims to ensure the window is **plumb, level, and square** within the opening.

7. Secure the Window

Fasten the window by using **#8 x 1½" – 2" Exterior-Grade Self-Drilling Screws** through pre-drilled openings in the nailfin. If needed, additional holes can be made in the nailfin.

- *Start with the top corners*
- *Check for level, plumb, and square*
- *Continue fastening remaining points*

Avoid over-tightening fasteners, as this may distort the frame.

8. Check Operation

Before proceeding, **open and close the window** to ensure smooth operation. Make any necessary adjustments to shims or fasteners to maintain proper alignment.

9. Insulate the Opening

Fill the gap between the window frame and rough opening using **low-expansion window and door foam insulation**. Avoid overfilling, which can bow the frame and affect operation.

10. Flash the Window

Apply additional flashing tape along the **sides and top of the window flange**, integrating it properly with the building's weather-resistant barrier to create a watertight seal.

11. Exterior Sealing

Apply exterior-grade caulk around the perimeter where the window meets the siding or exterior cladding to complete the weather seal.