

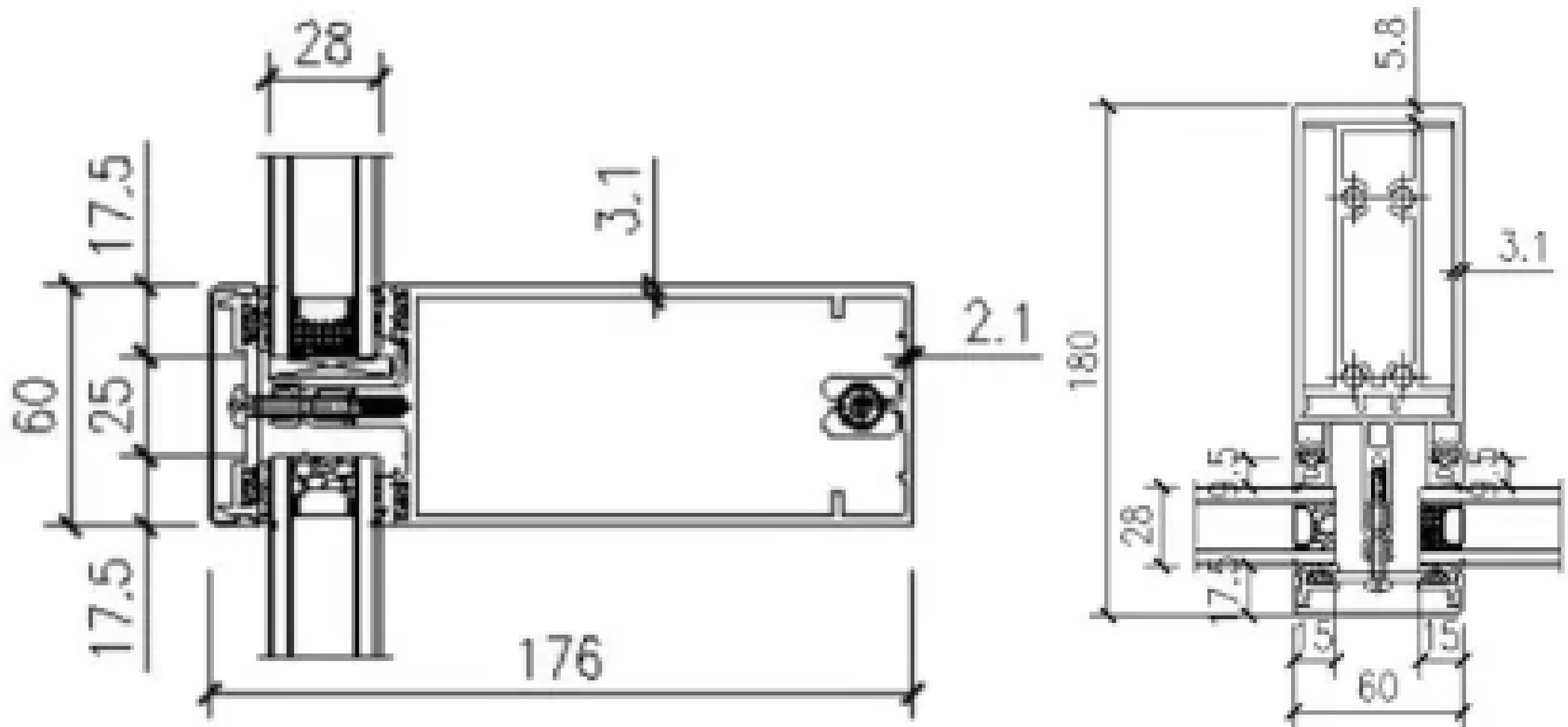
APX 105
CIRTIN WALL WINDOW SYSTEM

**TECHNICAL
DRAWINGS**



APX 105 CIRTIN WALL WINDOW SYSTEM

STANDARD



*Reinforcement part up to 5.8mm